

## Omni

### Assembly Instructions



\* Pro Version shown

**IMPORTANT:** To avoid assembly problems follow these instructions exactly.

**Step 1** - Support the Ladder lying flat on its front face and prop open the frames as shown. (See illustration No. 1)

**Step 2** - Using the M6 x 30mm Screws and Nyloc Nuts supplied, fit the Rubber Bump Stops on the inside face of the Front Frame at A and B just below the bottom tread. (See illustration No. 2)

**Step 3** - Remove the Screw and Nut at C and discard. Fix the Wheel Brackets to the inside of the rear frame as shown using the M8 x 40mm Screws, M8 BODY Washers and Nyloc nuts supplied. Ensure the Washer is positioned under the head of the Screw. Repeat for the other side. (See illustration No. 3)

**Step 4** - Fit a Washer to the M12 x 85 Hex Bolt. Place the Wheel Bearing inside the wheel and pass the bolt thru the wheel and bearing. Place another Washer over the end of the Bolt and position on the bracket as shown. Fasten with the Nyloc nuts supplied. (See illustration No. 4)



Illustration 1

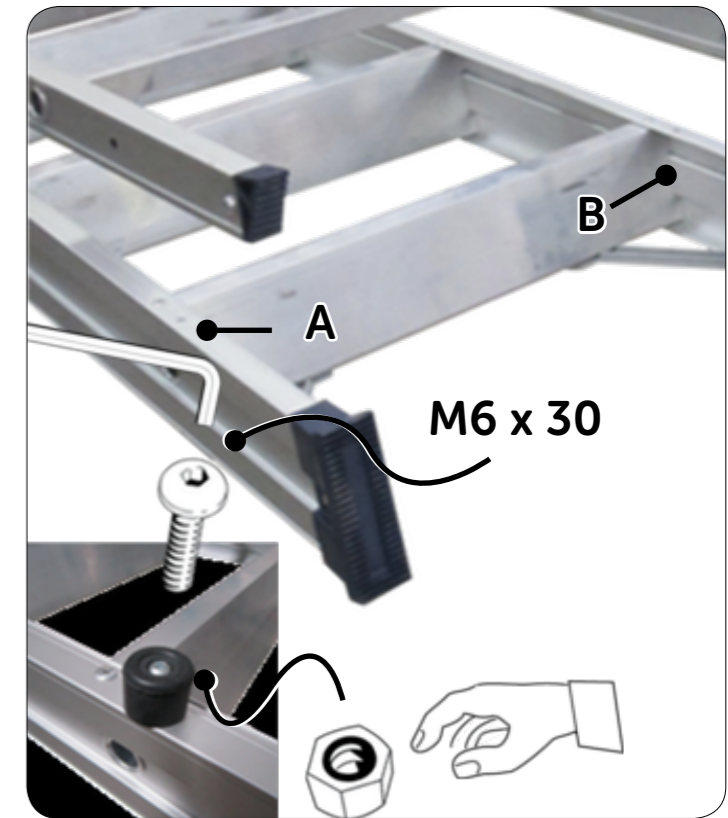


Illustration 2

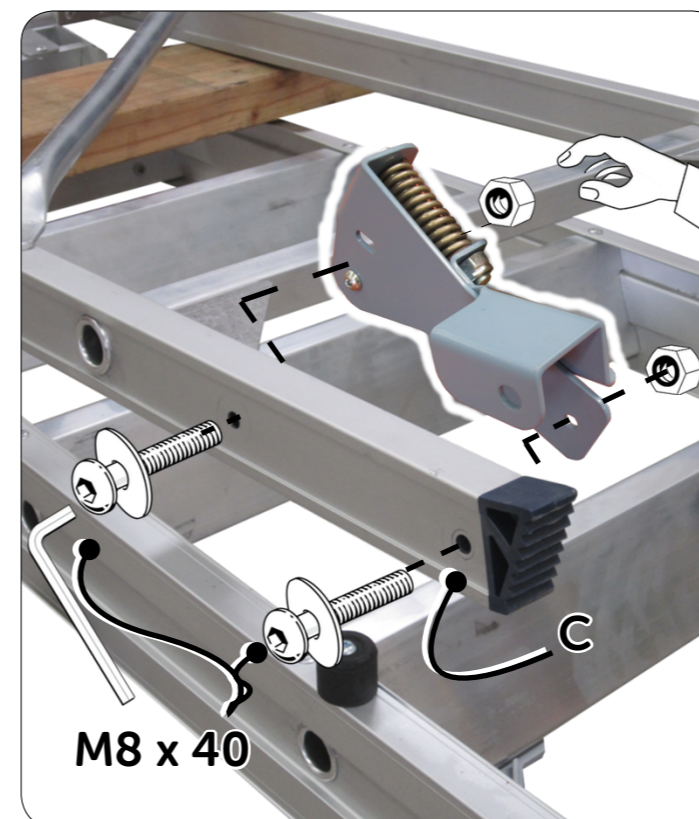


Illustration 3

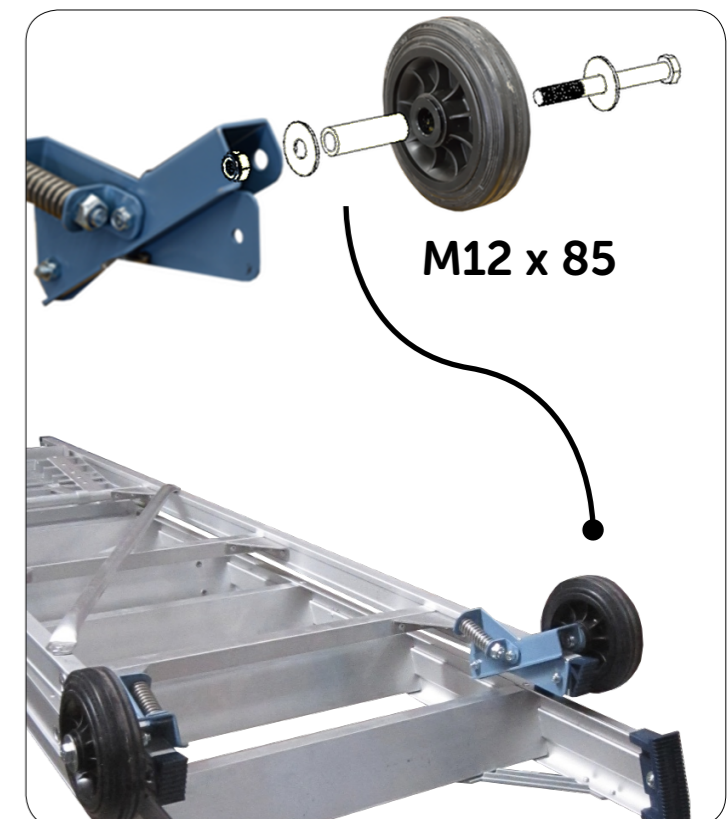


Illustration 4

## Control Handle - Assembly

**IMPORTANT:** To avoid assembly problems follow these instructions exactly.

**Step 5** - Fix the Control Handle Brackets to the Control Handle. Pass the E Pin thru the hole in the Control Handle and Bracket and secure with an E Clip. (Tip- The clip may be pushed into place with a coin or screwdriver blade) (See illustration No. 5)

**Step 6** - Fix the Control Handle Brackets to the underside of the 4th Tread up from the bottom of the front frame using the M6 x 16 screws and M6 Spring Washers at D & E. Remove the prop from between the frames. (See illustration No. 6)



Illustration 5

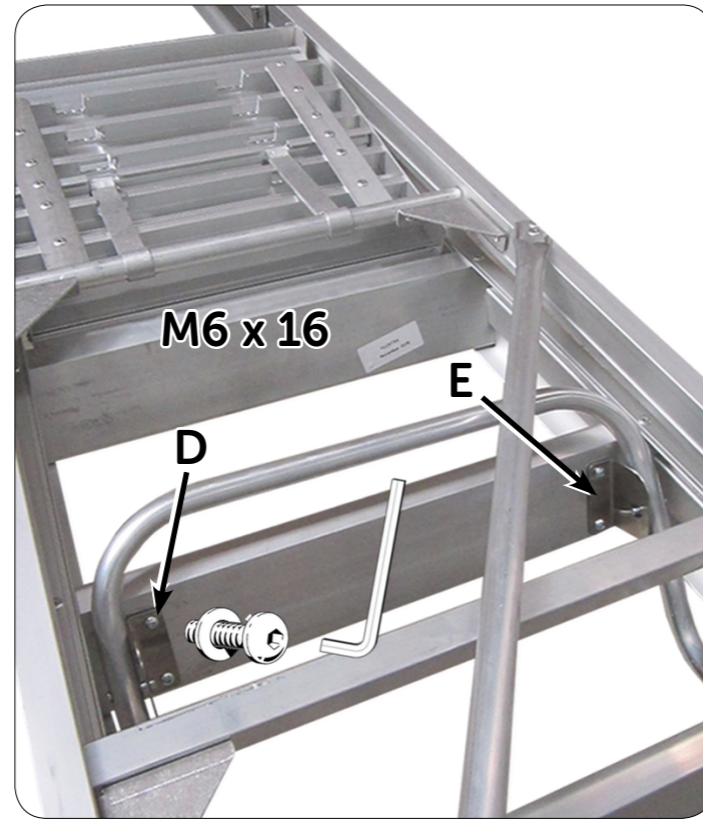


Illustration 6

## Safety Gate - Assembly

**IMPORTANT:** To avoid assembly problems follow these instructions exactly.

**Step 7** - Turn the Ladder over and support the Ladder lying flat on its back, front facing upward. Lay the gate assembly over the top of the ladder. (See illustration No. 7)

**Step 8** - On the longer 8 x 40mm Shoulder bolt, place 1 Nylon washer sandwiched between 2 x M8 Steel Washers. Place both shoulder bolts in the Tray F then position yourself at the top of the ladder as shown and support the gate assembly. (See illustration No. 8)



Illustration 7

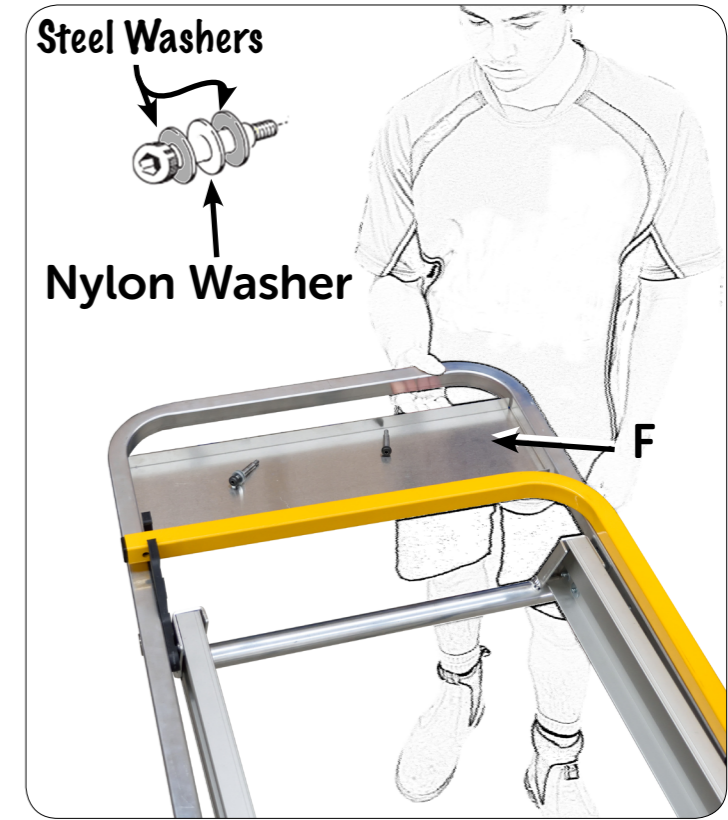


Illustration 8

# Safety Gate - Assembly

# Safety Gate - Assembly

**IMPORTANT:** To avoid assembly problems follow these instructions exactly.

**Step 9** - Position the locating plunger G protruding from the inside face of the Nylon wear plate. In hole H on the LHS rear safety bar side plate. (See illustration No. 9)

**Step 10** - Insert the 8 x 30 Shoulder bolt (shorter bolt) thru hole I and screw into hole J on the RHS rear safety bar side plate. Fasten with the supplied Nyloc Nut on the inside of the ladder stile. - *Finger tight only.* (See illustration No. 10)

**Step 11** - Insert the 8 x 40 Shoulder bolt with washer pack on the Nylon plate side. Fasten with the supplied Nyloc Nut on the inside of the ladder stile then tighten this side fully first then the other. Release the Plunger K and rotate the gate thru 70 deg. Ensure the Plunger ocates in both the open and closed travel positions. (See illustration No. 11)

**Note:** The Plunger K has a rest position. If you pull the plunger out and rotate it thru 90 deg it will stay in an open position for ease of gate rotation.

**Step 12** - Using the M6 x 50mm Screw and Nyloc Nut supplied, fit the Rubber Bump Stop on the outside of the gate arm as shown. (See illustration No. 12)

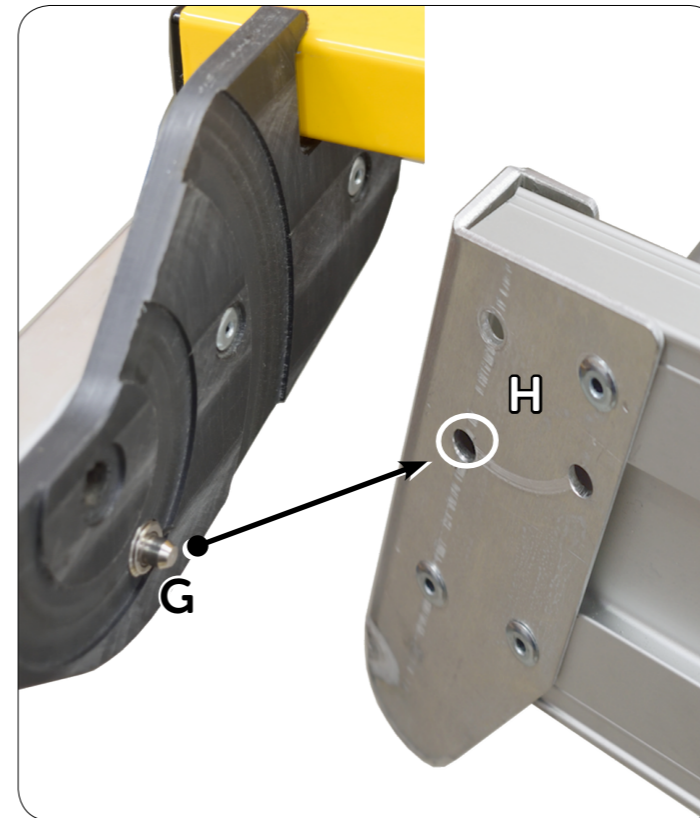


Illustration 9

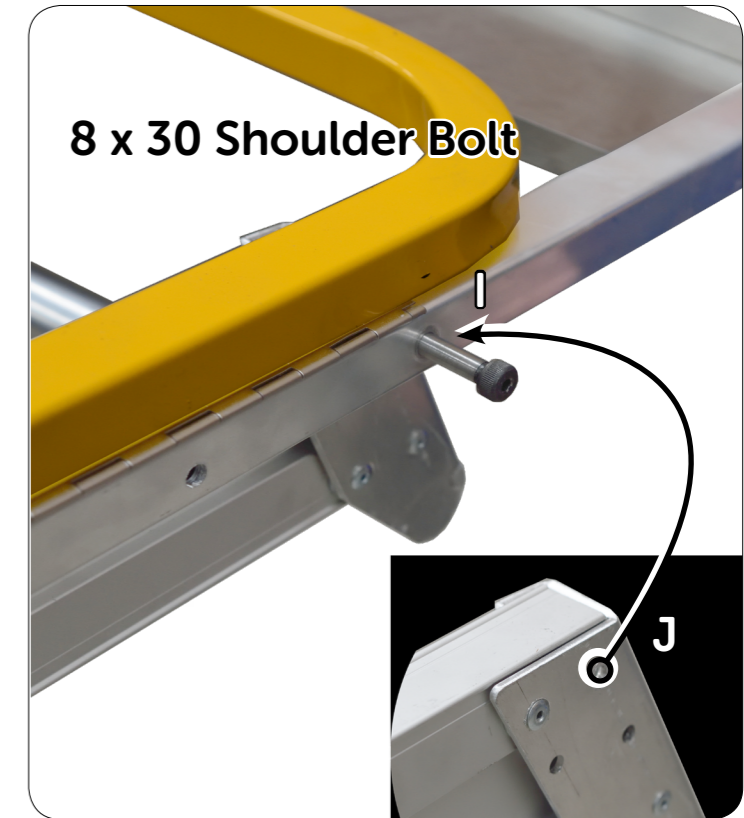


Illustration 10

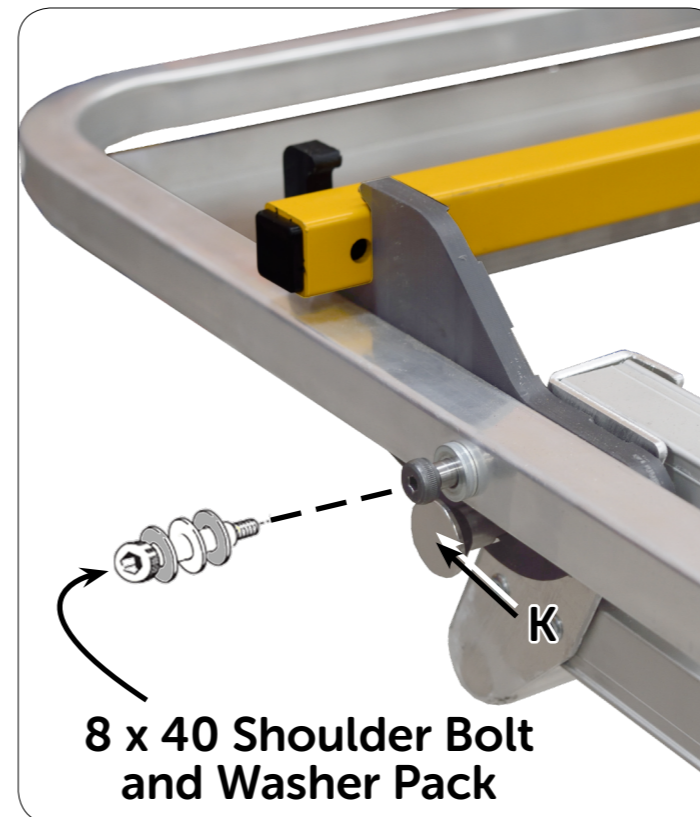


Illustration 11

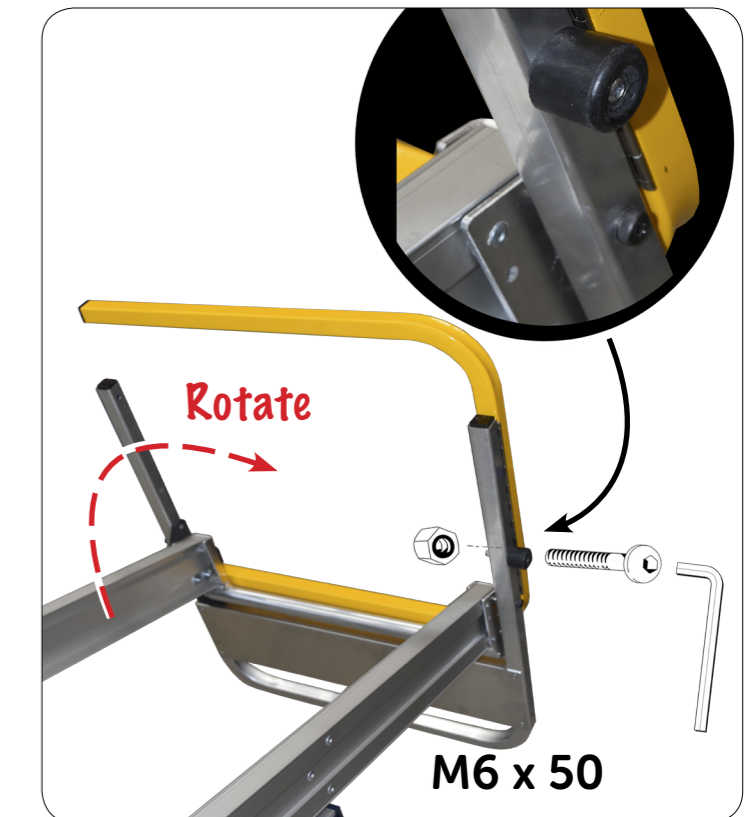


Illustration 12